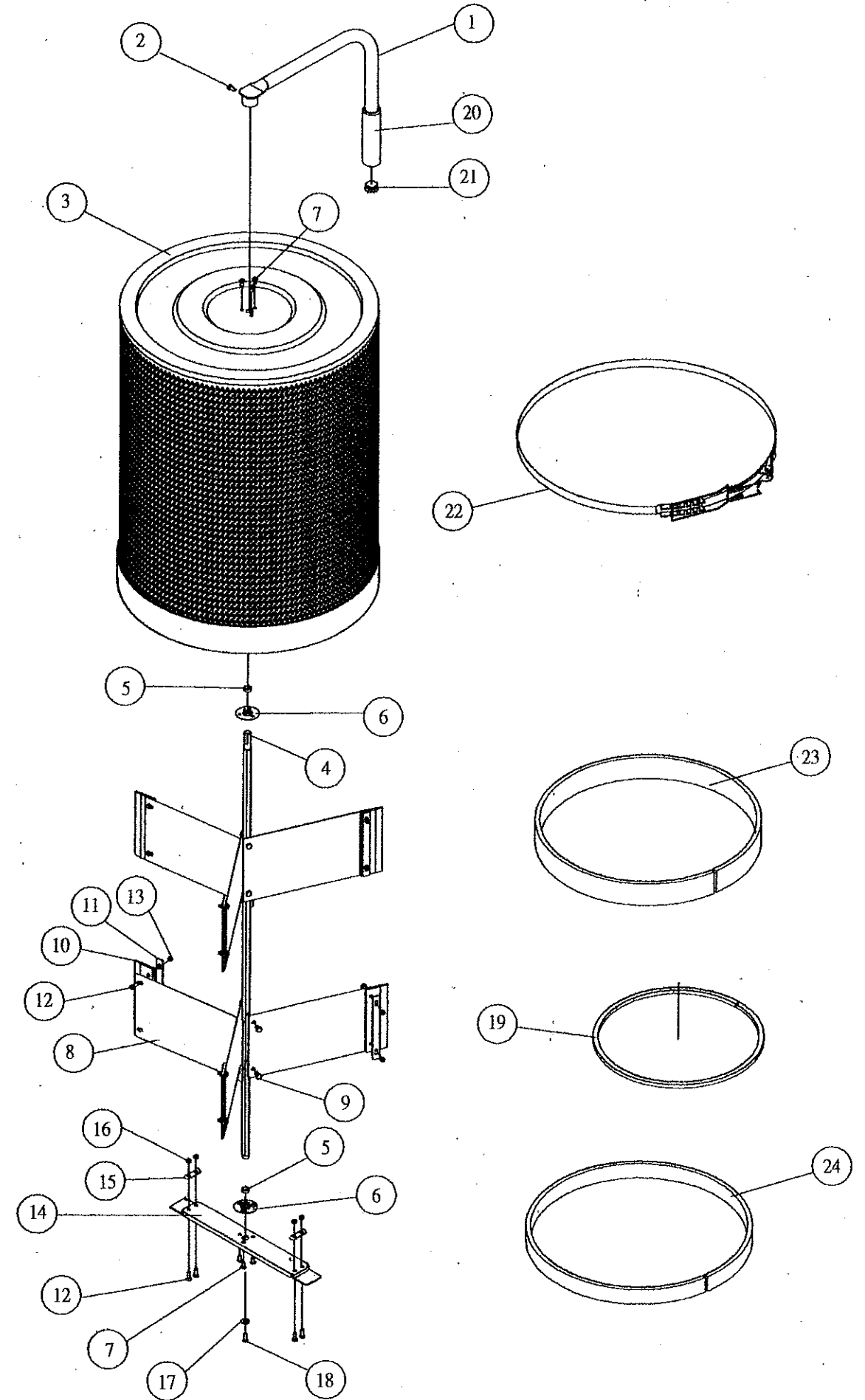


EXPLODED DIAGRAM



PARTS LIST

NO.	Description	Specification	Q'ty
1	Handle		1
2	Hex. Head Screw	M6 x 16	1
3	Canister Filter		1
4	Hex. Spindle		1
5	Thread Bearing		2
6	Bearing Fixing plate		2
7	Half Round Head Screw	M5 x 10	6
8	Clip Board		6
9	Hex. Head Screw	M6 x 10	12
10	Rubber Flapper		6
11	Flapper Fixing Plate		6
12	Round Head Screw	M5 x 15	16
13	Self-lock nut	M5	12
14	Bottom Fixing Plate		1
15	Fixing Plate		2
16	Nut	M5	4
17	Flat Washer	1/4"	1
18	Round Head Screw	M6 x 10	1
19	Sponge	10 x 15	1
20	Sponge Sleeve	1" x 5" x 5"	1
21	Cap	1"	1
22	Belt Clamp		1
23	Foam	6 x 20	1
24	Foam	5 x 42	1