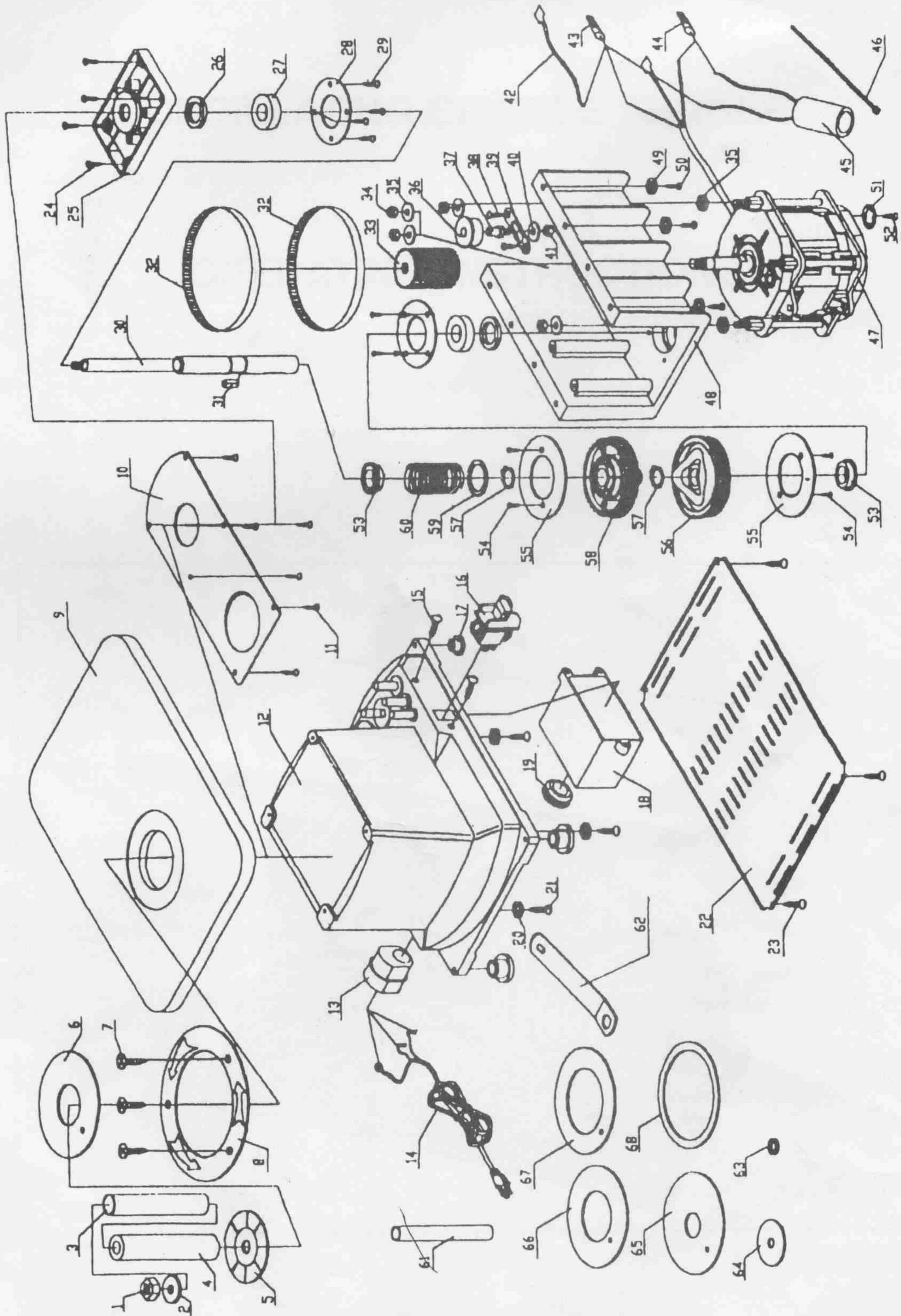


ASSEMBLY DIAGRAM



NOTE: Some parts are listed and shown for illustration purposes only, and are not available individually as replacement parts.

PARTS LIST

Part #	Description	Qty.	Part #	Description	Qty.
1	Nut (M8)	1	35	Washer (6)	8
2	Upper Spindle Washer (8)	1	36	Bracing Wheel Sub-Assy.	1
3	Sanding Sleeve (12.7mmDia.)	1	37	Bracing Wheel Axle	1
4	Rubber Spindle (2)	1	38	Self Feed Screw (M4.8 x 13)	2
5	Lower Spindle Washer	1	39	Bracing Wheel Base	1
6	Throat Plate (25.4mmDia.)	1	40	Washer (6)	1
7	Self Feed Screw (M3.5 x 13)	3	41	Nut (M6)	1
8	Rotation Mark Plate	1	42	Connecting Wire	1
9	Disc Table	1	43	Coupling (L)	1
10	Dust Housing	1	44	Coupling (M)	1
11	Self Feed Screw (M4.2 x 13)	6	45	Capacitor	1
12	Base	1	46	Tape	1
13	Strain Relief	1	47	Motor	1
14	Power Cord	1	48	Stand	1
15	Self Feed Screw (M4.2 x 16)	3	49	Washer (6)	8
16	Power Switch	1	50	Self Feed Screw (M5.5 x 22)	8
17	Foot Pad	4	51	Washer (5)	1
18	Switch Housing	1	52	Screw (M5 x 10)	1
19	Cable Bushing	1	53	Bushing	2
20	Washer (5)	4	54	Self Feed Screw (M4.8 x 16)	4
21	Self Feed Screw (M4.8 x 22)	4	55	Damper	2
22	Base Plate	1	56	Differential Gear	1
23	Self Feed Screw (M4.2 x 13)	4	57	Check Ring (17)	2
24	Self Feed Screw (M4.2 x 16)	4	58	Driver Gear	1
25	Bearing Housing	1	59	Screw	1
26	Oilless Felt	2	60	Spring	1
27	Bearing	2	61	Sanding Sleeve (25.4mmDia.)	1
28	Bearing Cover Plate	2	62	Wrench	1
29	Self Feed Screw (M4.2 x 16)	8	63	Upper Spindle Washer (8)	1
30	Spindle	1	64	Upper Spindle Washer (1)	1
31	Key	1	65	Throat Plate (39.7mmDia.)	1
32	Drive Belt	2	66	Throat Plate (50.8mmDia.)	1
33	Driving Wheel	1	67	Throat Plate (63.5mmDia.)	1
34	Nut (M6)	4	68	Throat Plate (86.5mmDia.)	1