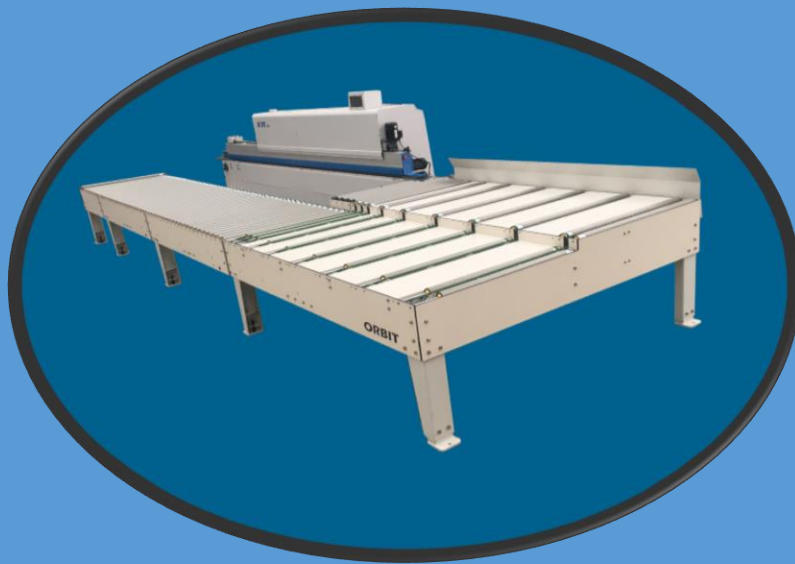


ORBIT RETURN CONVEYOR



Halve your
labor costs

LEDA



Edgebander Return Halve your labour costs



Advantages

Lower your labour costs and increase production on your KDT Edgebander. Transforms high production Edge banding into a one-person operation

- Low maintenance.
- Easy installation.
- Modular.

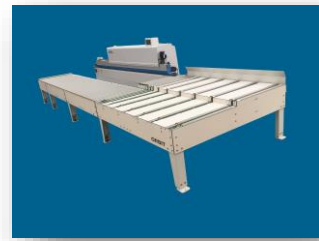


Low investment and Rapid payback



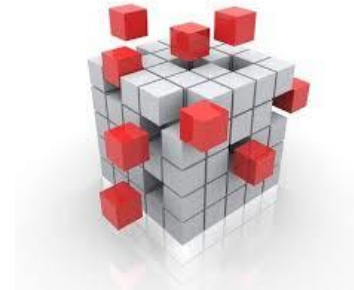


Edgebander Return Halve your labour costs



Modular

Modular design means your ORBIT will match your KDT Edgebander for maximum efficiency



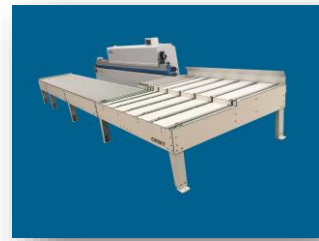
2000 and 1000mm driven and idle roller modules that simply plug together to suit your Edgebander length. Each module has its own 3 phase drive motor – simply plugs into to the preceding conveyors power supply - simple! Height adjust 'built in'

Efficient, economical and easily added





Edgebander Return Halve your labour costs



Clever Design

Your Orbit is a clever mix of HPL and heavy steel construction.

Rubber sleeved Aluminium rollers on sealed bearings

Rollers are driven by flat belts- proven as the most reliable system.

Round cross conveyor belts – no chance of damaging panels and easily repaired 'in-situ' if damaged





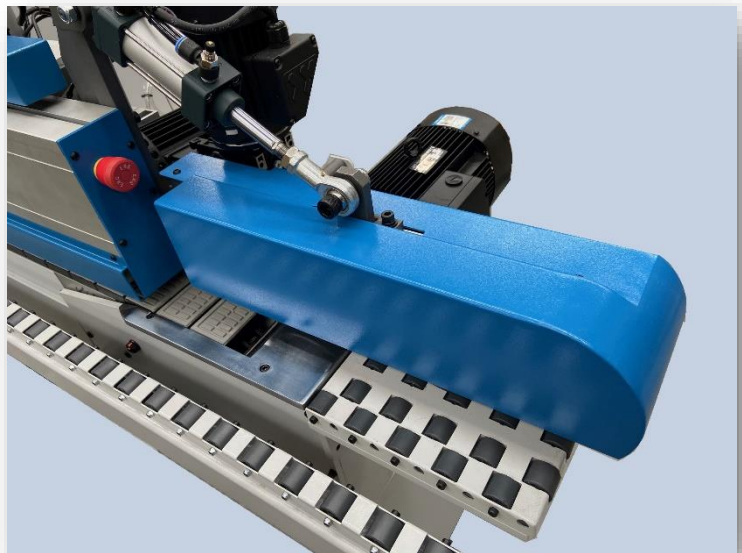
Edgebander Return Halve your labour costs



Small panel feed

Your KDT Edgebander may already be fitted with this feeder – if not it can be added.

For efficient outfeed of small panels > this sturdy and effective feeder includes pneumatic exclusion when not required.





Edgebander Return
Halve your labour costs



Conveyor speed – variable by inverter to 18m/min

Max returnable panel length 2400mm

Minimum panel length with feeder 125-150mm

Max returnable panel width 1200mm

Min returnable panel width 60mm

Power supply 400v , 3 phase , 20 amp

Warranty ... 12 months,

comprehensive

